

Article: **4361
60MC**

Collection: **Atollo**

Design: Antonio De Marco, Simone Fanciullacci

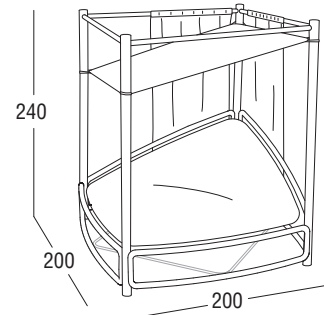
Product: Day-bed

Sizes: **cm 200x200x240h (79"x79"x95"h)**

FEATURES



- Frame:** 304 steel base and aluminum pillars, polyester powder coating
- Glides:** Nylon PA6
- Net:** High resistance Polyester
- Sun shade sail:** Acrylic with stainless steel buckles
- Curtains:** Acrylic
- Finishings:** White, Cipria
- Optional:** Ground fixing plates (art. 43AN)
- Cushion:** Art. 60MC in open cell polyurethane foam, draining. Quilted, covered not removable



Net weight unit 90

Gross weight unit 139,9

Packages per unit 2

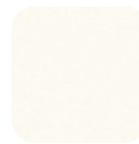
Packages sizes base cm 205x105x217h
pillars cm 43,5x242x18h

Packages volume 4,86 m³

Stackable NO

FINISHINGS

UV, marine environment, scratch resistant



White



Cipria

NET

UV-resistant



Catamaran Net
White

FABRICS

Different types of fabrics available in:
Polypropylene - Polyester

See the collection in the catalog and online.